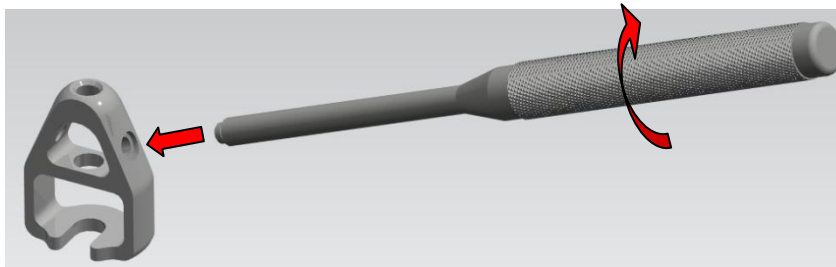


Biomet® Taper Adaptor Removal Tool Assembly/Disassembly Instruction Sheet

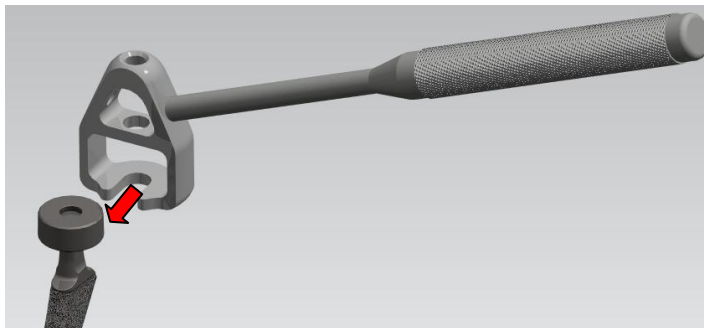
ATTENTION OPERATING SURGEON

Part #: 110005232

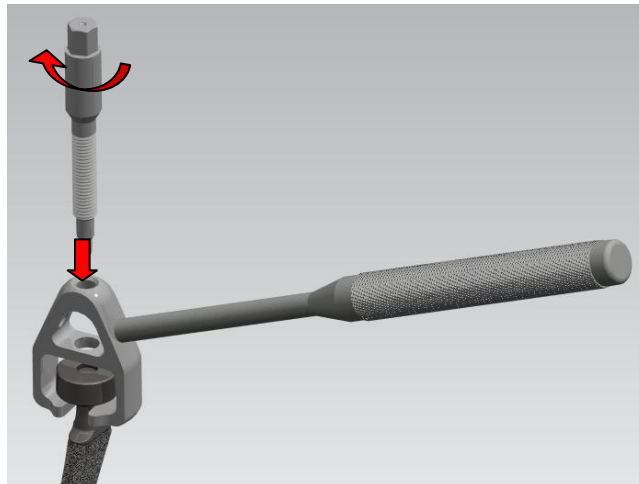
1



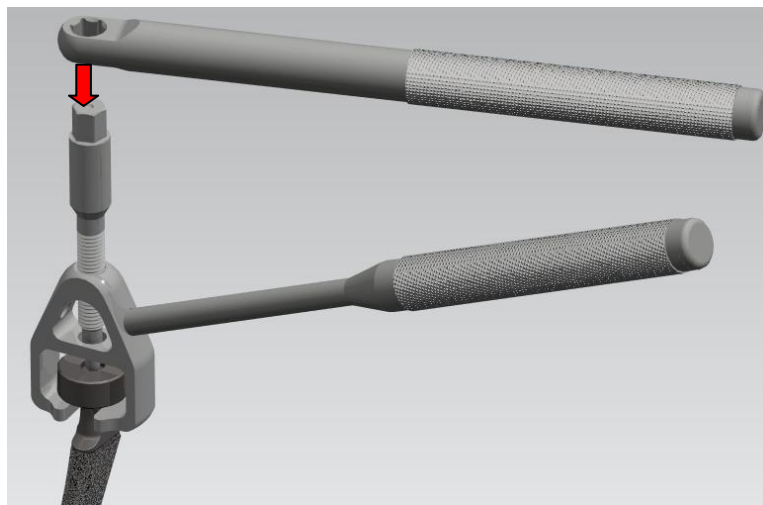
2



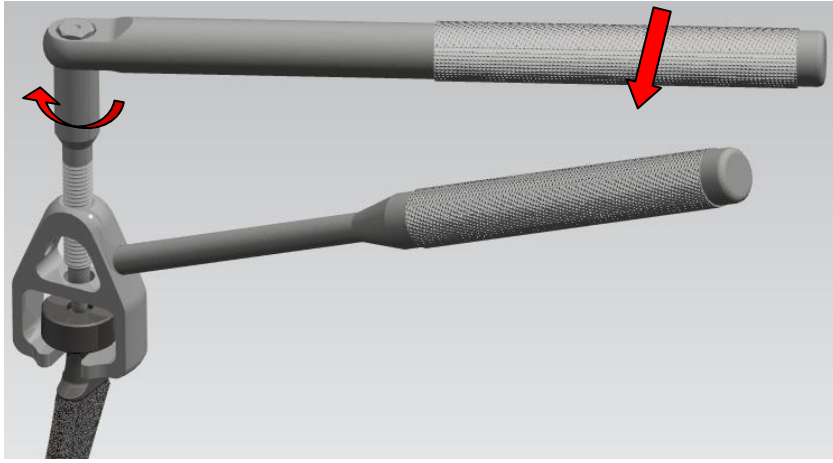
3



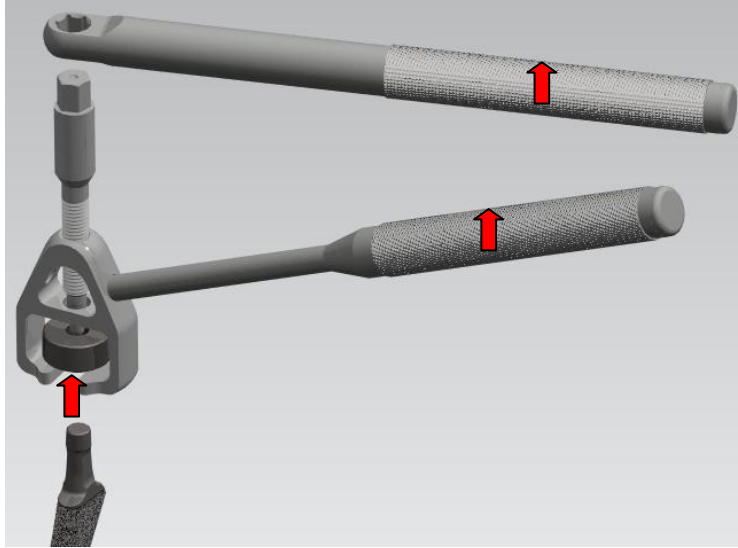
4



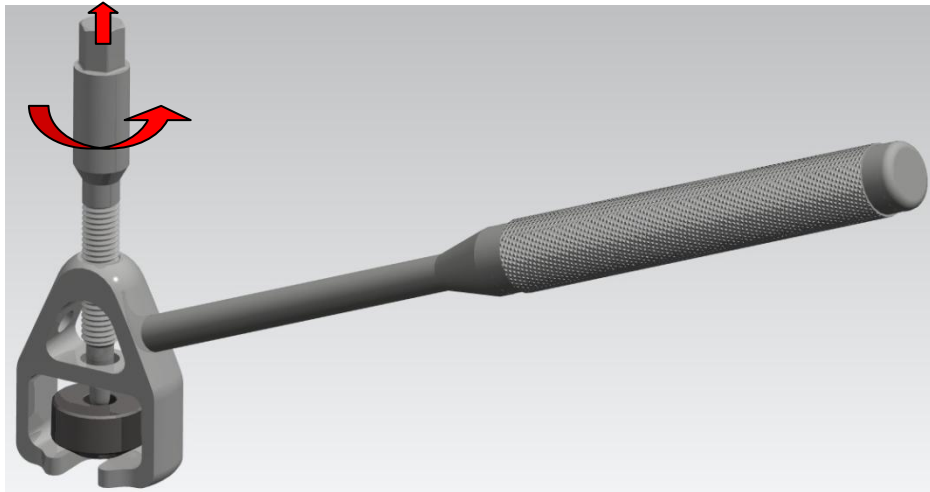
5



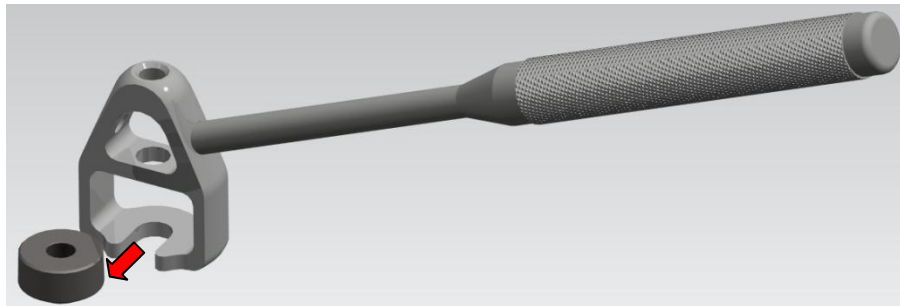
6



7



8



9

