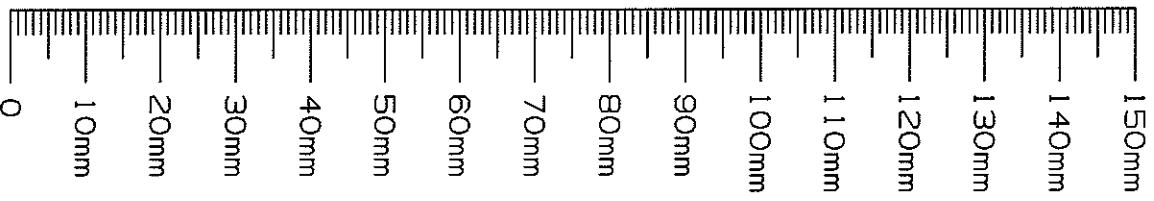
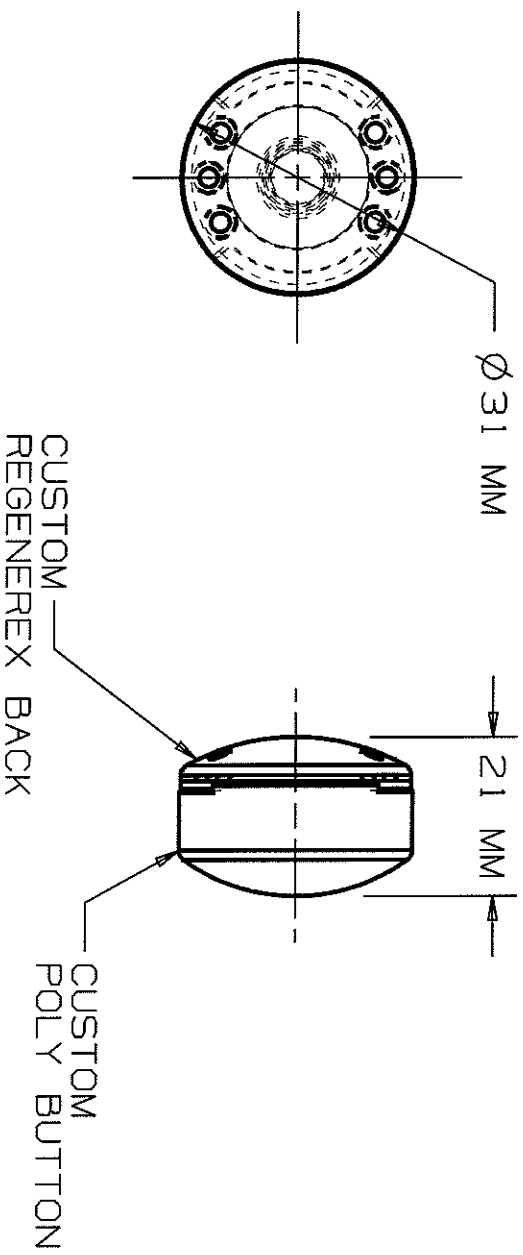


REVISION PATELLA



MAGNIFICATION: 100%



BIOMET PMI

Patient-Matched Implants

Hips • Knees • Shoulders • Extremities • Limb Salvage